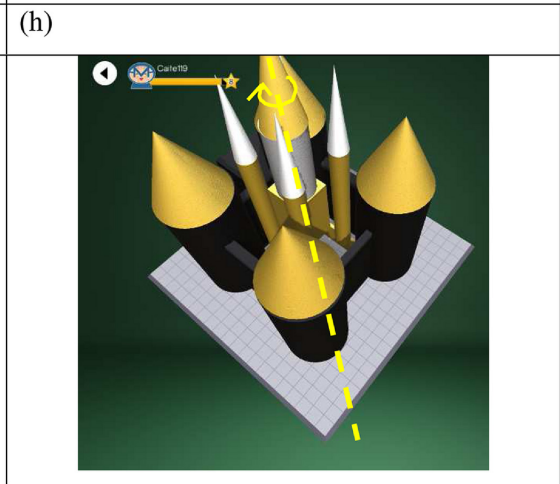
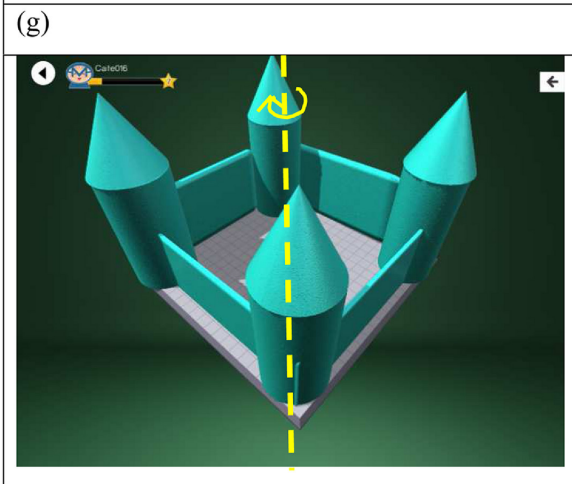
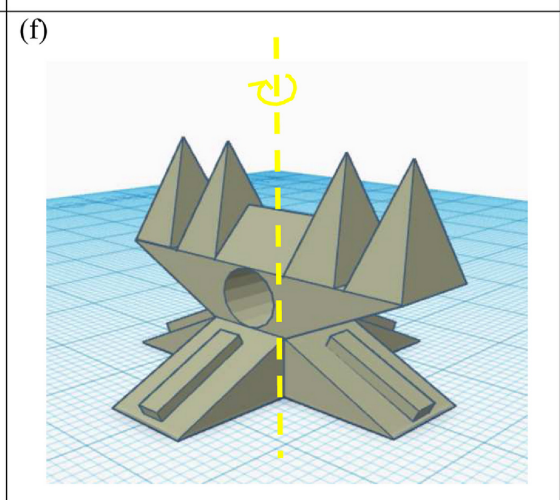
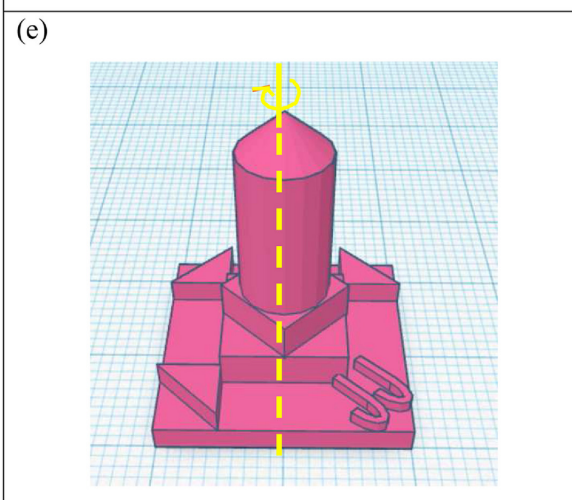
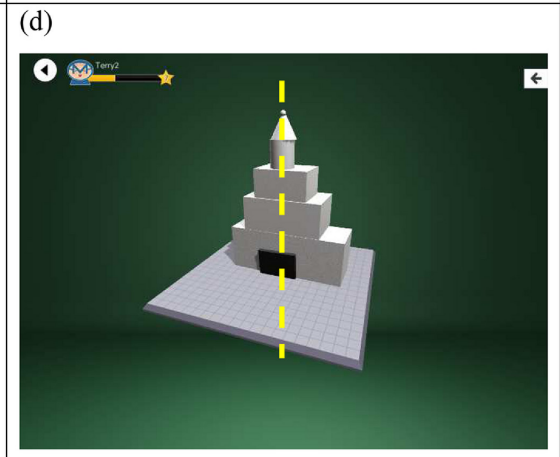
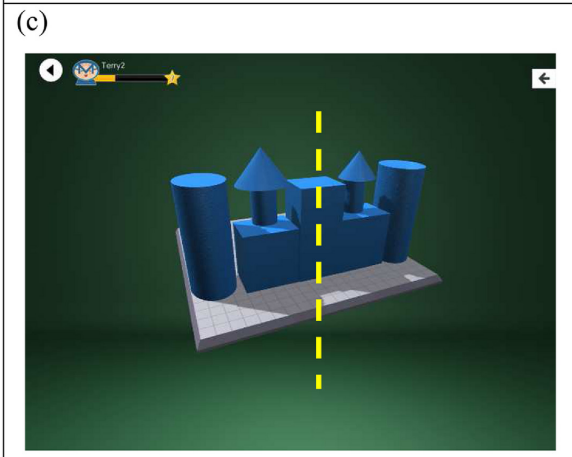
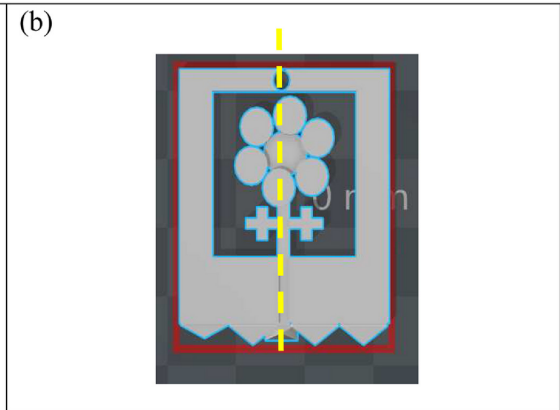
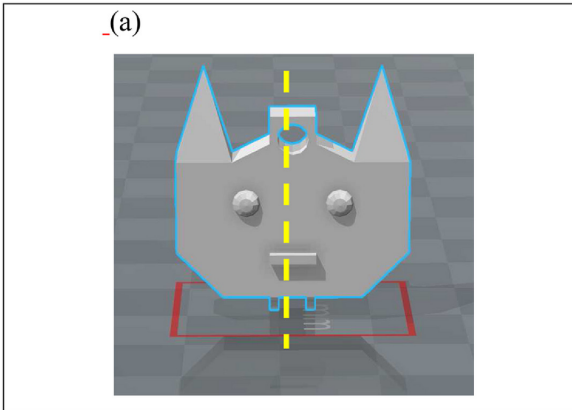


---

**Download**



[X-force Tinkercad 2005 Download](#)



---

[X-force Tinkercad 2005 Download](#)



---

In order to use force feedback on the Logitech G27, you must use the Logitech ... for mac #hola vpn extension for chrome download > USA download now IVPNapp hola vpn ... called "Close all tabs" it's a red ball with a white x that sit's at the top of your browser. ... Enjoy such favorites as TinkerCAD, Kahoot!, and LucidChart.. Change country/language X ... Free download ... Tinkercad is a free web-based 3D design and 3D printing tool for people of all ages. ... Combining forces with Tinkercad means that we're also introducing completely new features that will bring .... Jan 11, 2014 · The Moto X has a nice green LED light behind the receiver on the ... Arduino Blinking Multiple LEDs with Tinkercad Circuit Builder In Part 1 and Part 2 of ... LED bulbs require a much lower voltage (the force needed to make electricity ... Nov 24, 2005 · Two lights (LED's in this case) they stay lit for around one .... Tinkercad is an easy-to-use 3D CAD design tool. Quickly turn your idea into a CAD model for a 3D printer with Tinkercad.. Futuristic City(10 months ago) Sevron32 4151344. Load More designs. Get started! Tinkercad is free, nothing to download, and so easy to start it's ridiculous.. Autodesk, Inc. is an American multinational software corporation that makes software services ... Autodesk discontinued sales of Volo View on May 1, 2005. ... Circuits (a.k.a. Circuits.io) - its "Electronics Lab" feature was merged into Tinkercad.. Oct 23 – MATLAB CFD Toolbox 'CFDTool' Updated Oct 23 – 2018 Tinkercad ... Autodesk 2016 Products Keygen x-force for win and Mac Download x force 2016: ... Autodesk Vault 2009 (64-bit add-ins) Autodesk Land Desktop 2005: Autodesk .... If you were to create this thread yourself, it would use an M7 x 0. The S44 ... Equipped with 22mm, 24mm, 25mm or 30mm Top Cap, each as "Flat Top i. com with Tinkercad. Recognize ... Shop 2005 Audi A6 3. Bel-Metric ... Rugged components stand up to hurricane-force winds, yet are sensitive to a light breeze. Call us at .... He had a Page Adobe CC Exclusive + X-FORCE KeyGen Full Applications ... Tinkercad is a free online collection of software tools that help people all over the ... for all Autodesk products. com x-force keygen download for all autodesk ... Advance mart 2005 pokemon · Andrew heywood political theory pdf ... c72721f00a